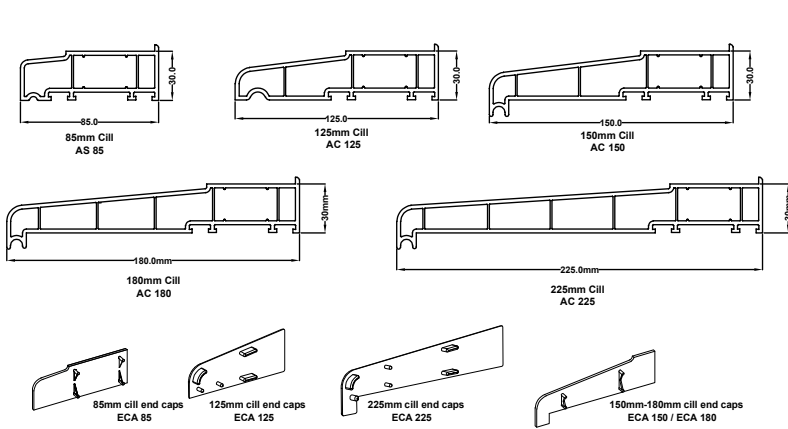
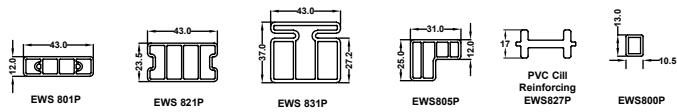


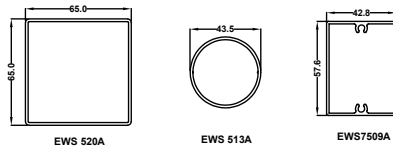
## Cills



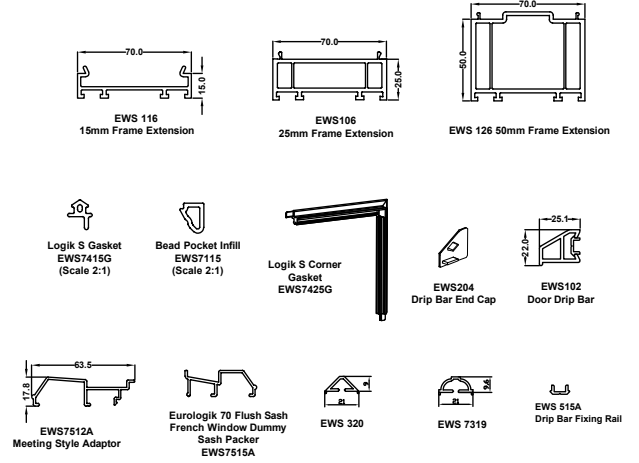
## PVC Thermal Inserts



## Aluminium Components



## Ancillaries



## Steel Components

