



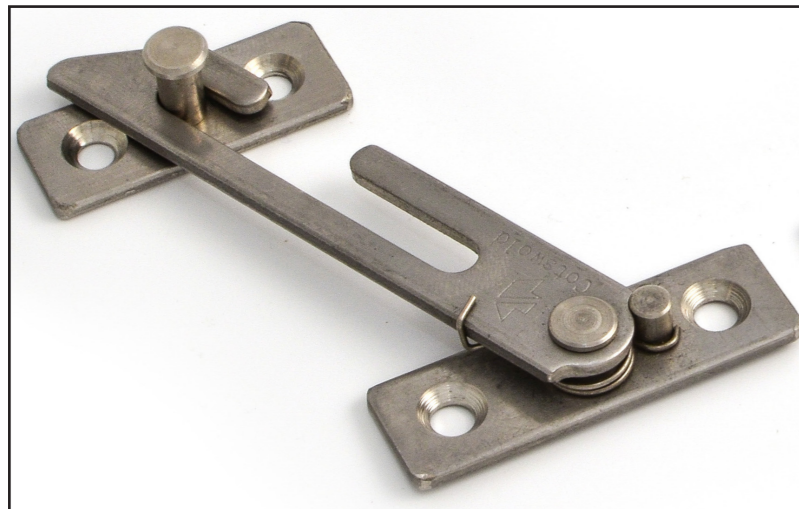
FAÇADE CREATIONS

Cavity Restrictor Guide

Façade Creations Cavity Restrictor

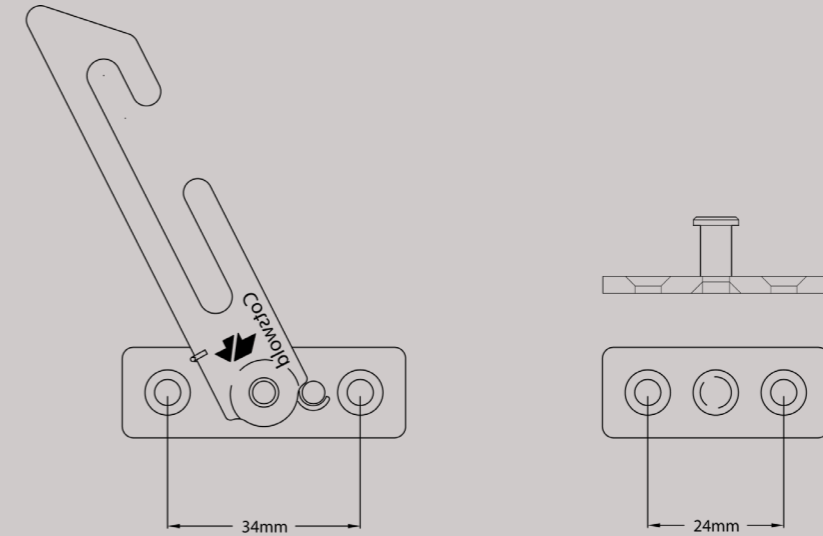
The Façade Creations Cavity Restrictor is designed for child safety and to limit the window opening to no more than 100mm when in the restricted position.

- Tested to BS6375-2:2009 to withstand a force of 350N
- Available in both Left or Right hand.
- Stud heights in 9.5mm, 10.5mm, 11.5mm 13.5mm and 14.5mm
- The restrictor arm is spring loaded for quick release and will automatically reset when the window is closed.
- Can be fitted as a standard or retro fit item.
- Easy to fit with no routing required.
- Manufactured using high grade Austenitic Stainless Steel for enhanced corrosion resistance.

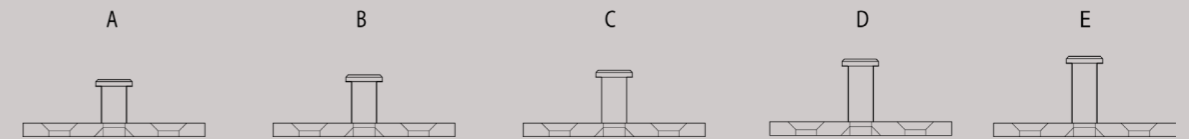


Façade Creations cavity restrictor pin heights

REFERENCE	A	B	C	D	E
PIN HEIGHT	9.5MM	10.5MM	11.5MM	13.5mm	14.5MM



ALWAYS CONFIRM RECOMMENDED SCREWS WITH SCREW SUPPLIER



Optimum Performance Tested to last

- BBA certified.
- Tested to BS6375-2:2009 to withstand a force of 350N
- Manufactured using high grade Austenitic Stainless Steel

Note: For larger or heavier sashes, all sash fixings should pick up reinforcement to ensure consistent performance.



It is the responsibility of the window manufacturer to ensure that the finished window meets the required safety and performance specifications.



T: +44 (0) 116 2289 3343 E: info@facadecreations.co.uk W: www.facadecreations.co.uk
Registered in England, Company Number: 16267073