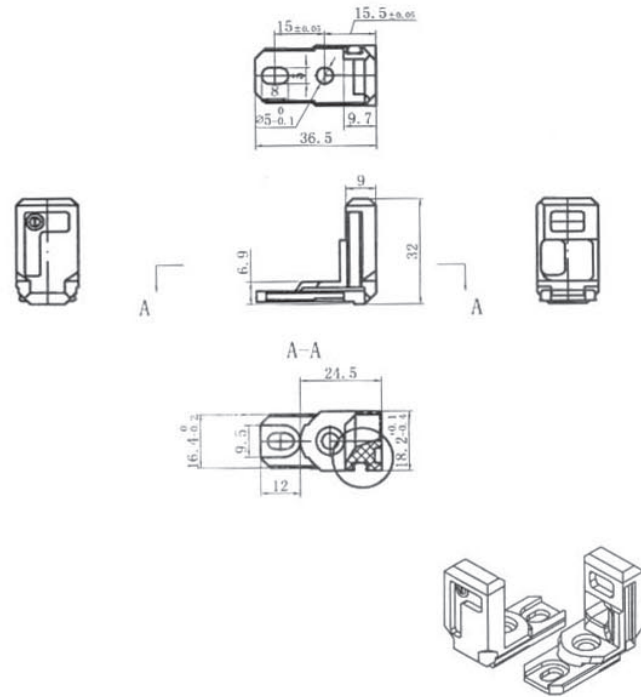
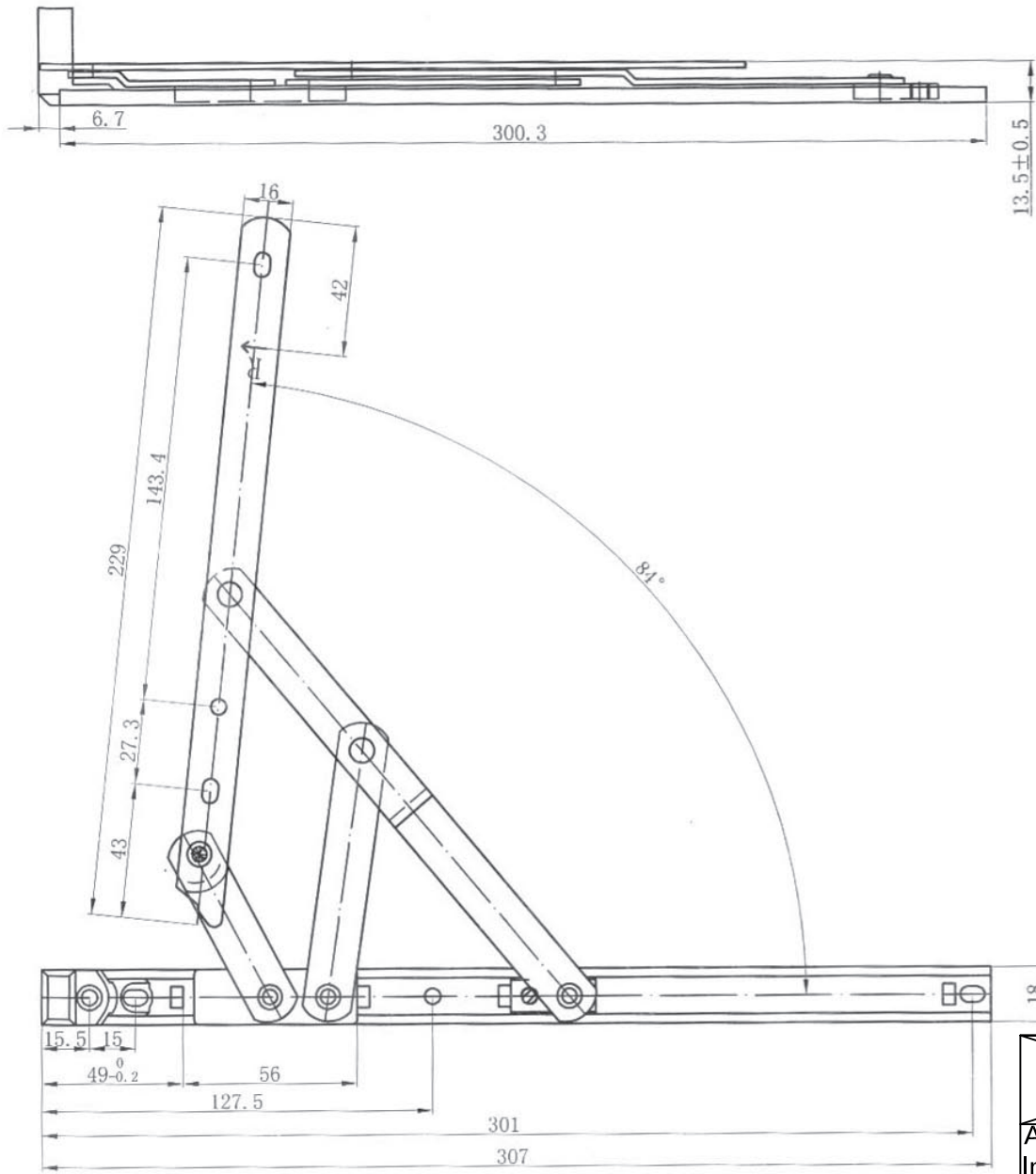


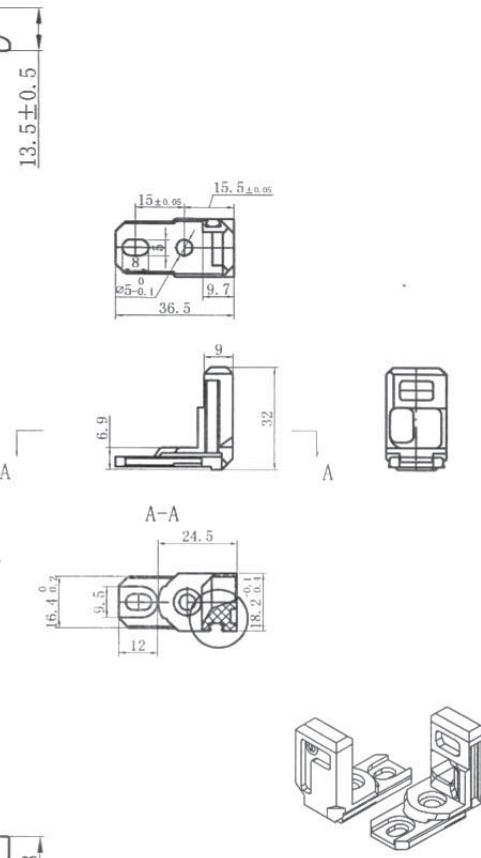
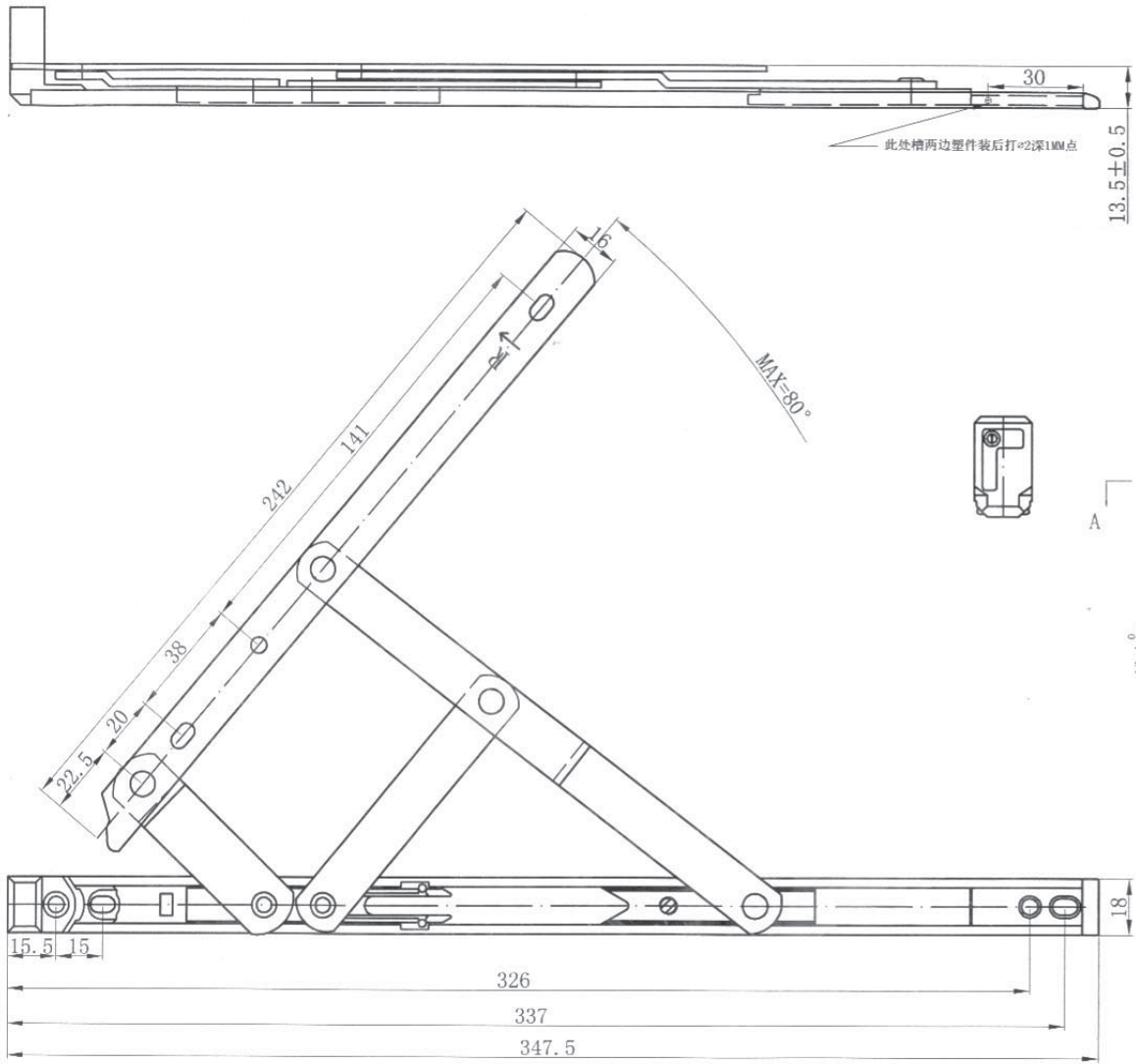


**FAÇADE**  
CREATIONS

**Friction Stay**  
Technical Drawing

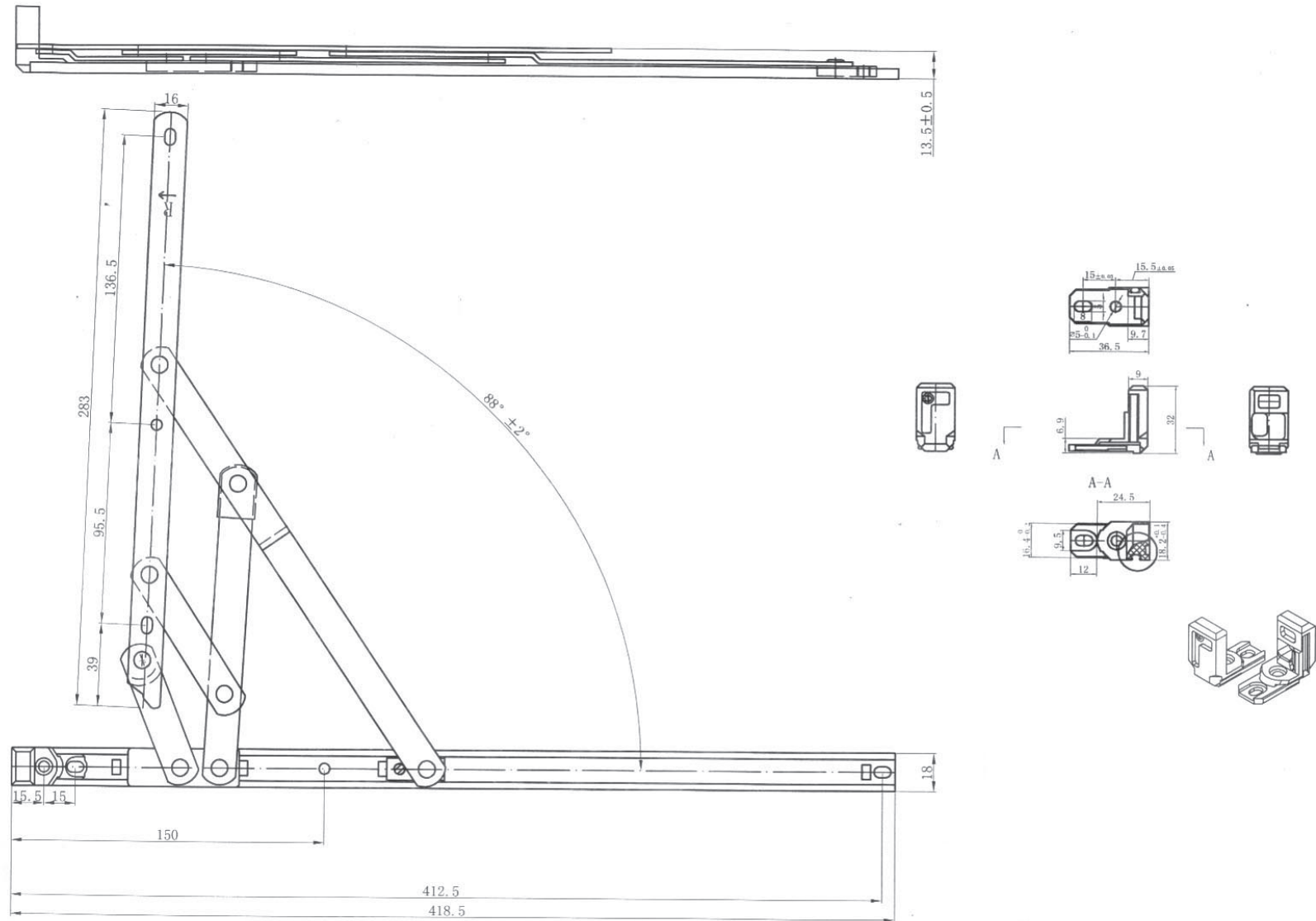


Additional Information:	CAD Drawing Please Do Not Update Manually		<b>Description:</b>  HIN52612
	Drawn By:		
	Date Drawn:		DWG No.
	Dimension(s):	MM	
	Finish:		Page 1 of 1
	Material:		
			Scale
			Issue No. <b>1</b>

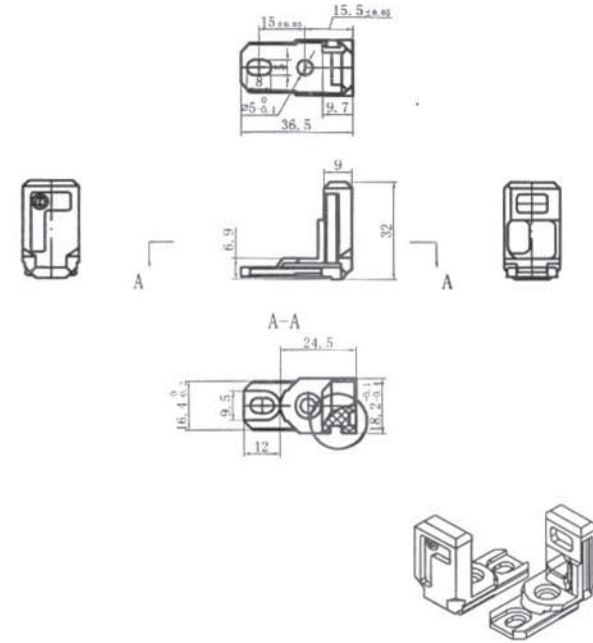
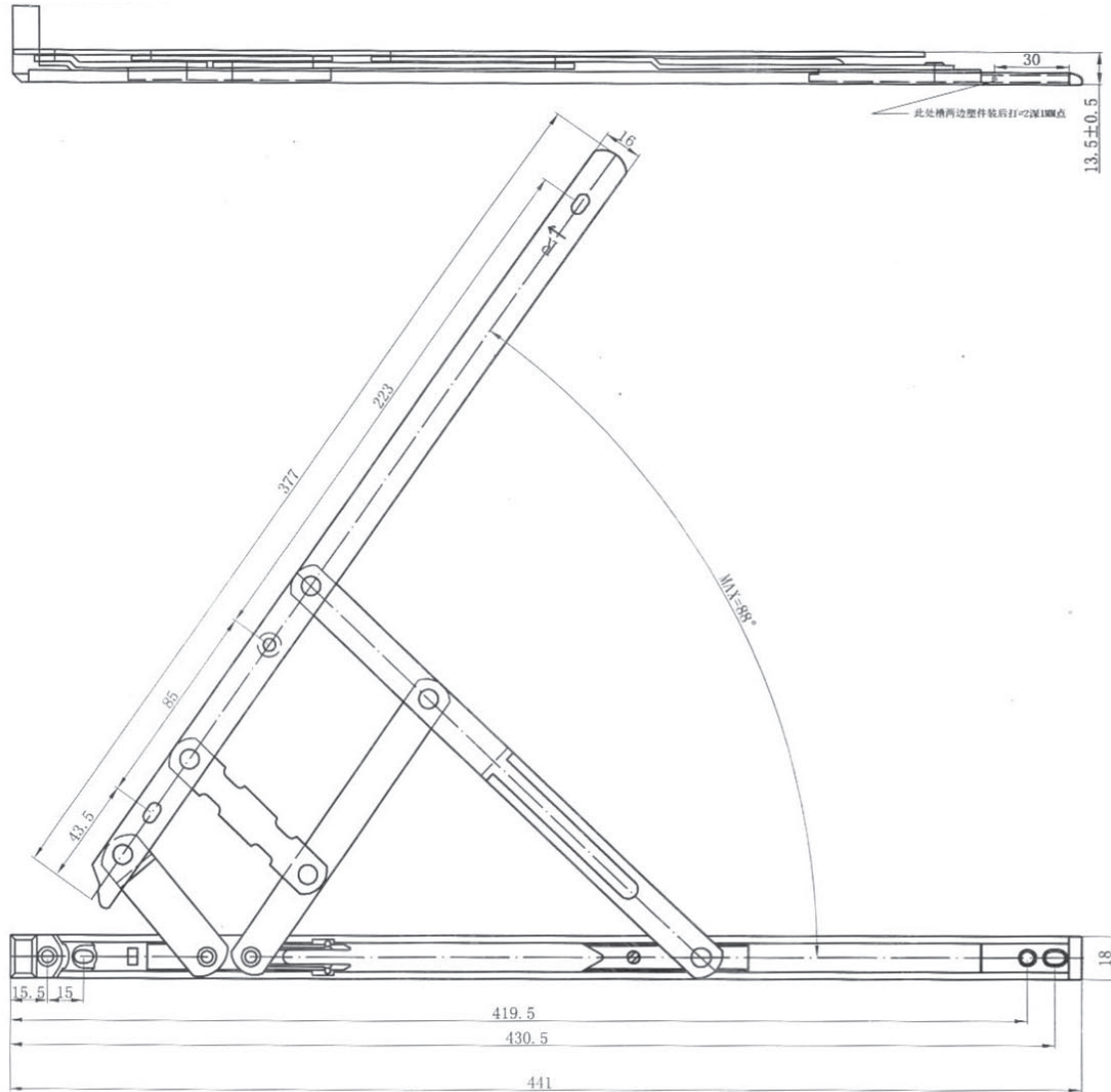


Window  
HTN52

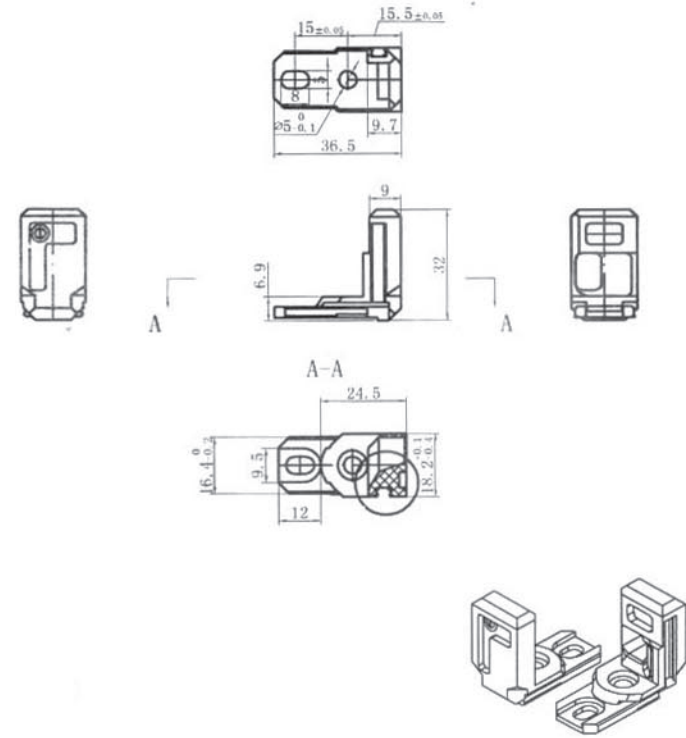
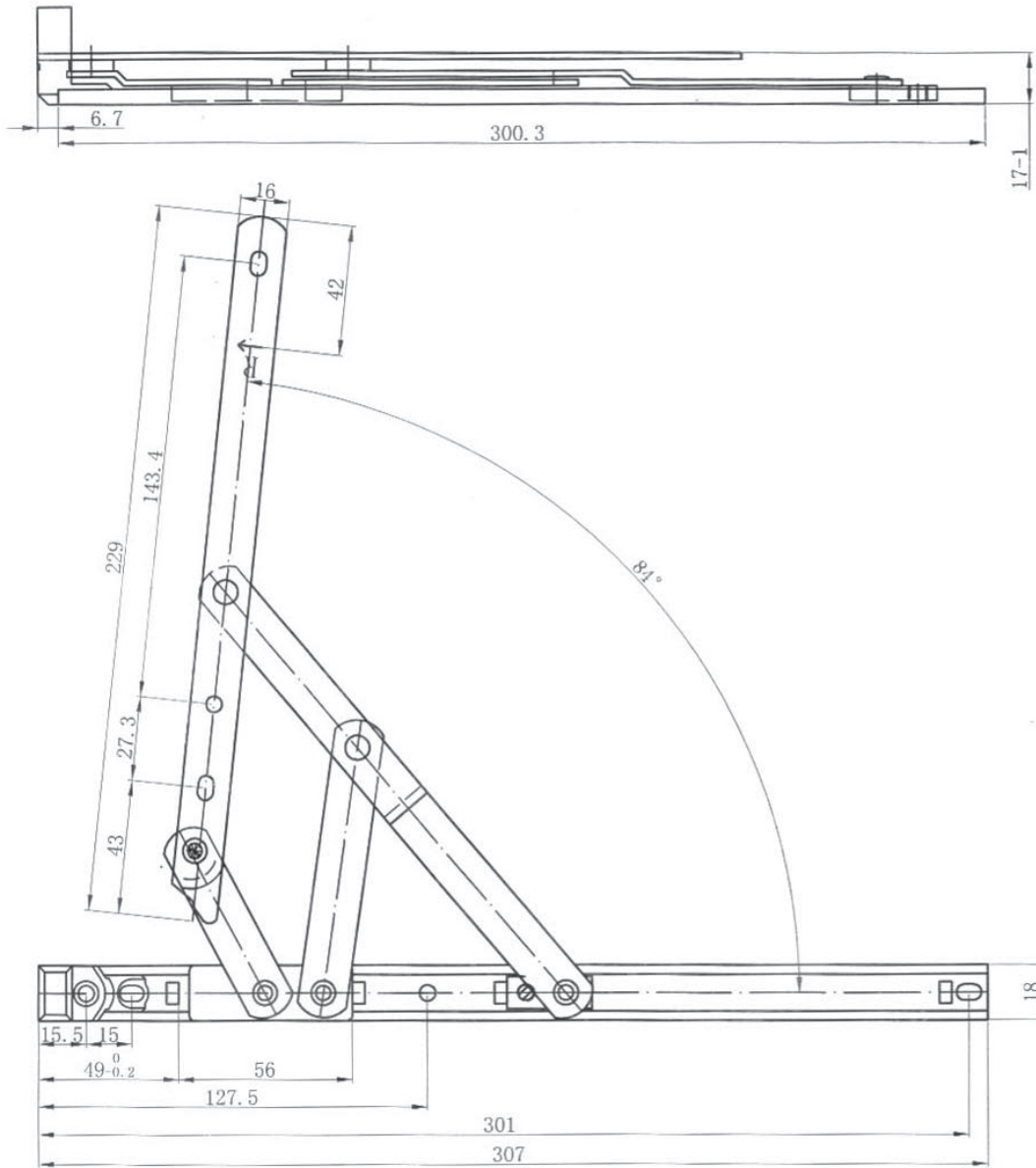
Additional Information:	CAD Drawing Please Do Not Update Manually		<b>Description:</b> HIN52612EC
	Drawn By:		
	Date Drawn:		DWG No.
	Dimension(s):	MM	
	Finish:		Page 1 of 1
	Material:		
			Scale
			Issue No. <b>1</b>



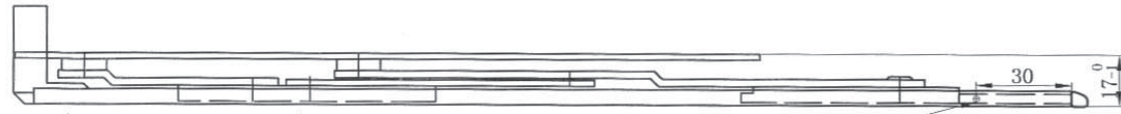
	CAD Drawing Please Do Not Update Manually		k,
	Additional Information:	Drawn By:	
Date Drawn:			
Dimension(s):		MM	
Finish:			
Material:			
			Page 1 of 1
			Scale



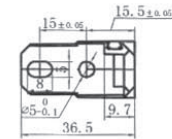
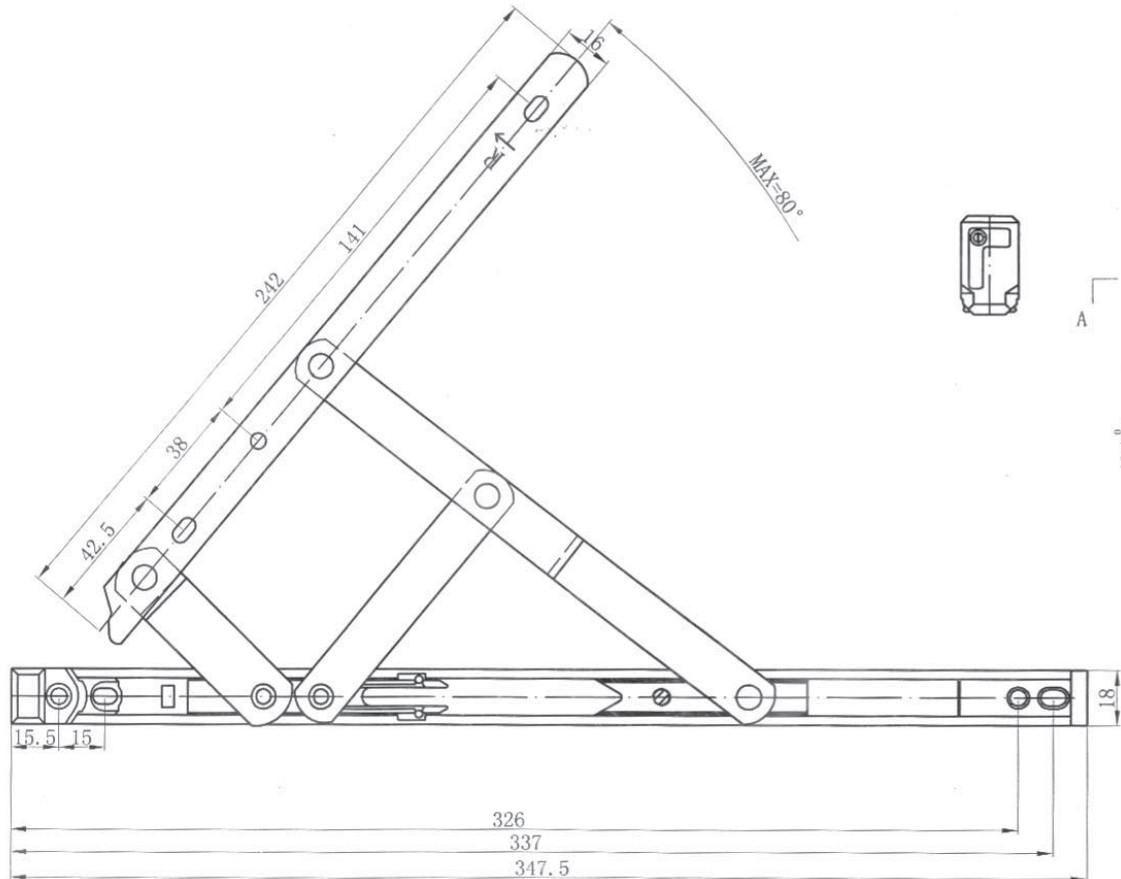
Additional Information:	CAD Drawing Please Do Not Update Manually		k,	
	Drawn By:		<b>Description:</b> HIN52616EC	
Date Drawn:		DWG No.		
Dimension(s):	MM			Issue No. <b>1</b>
Finish:		Page 1 of 1   Scale		
Material:				



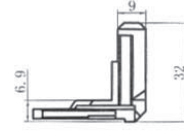
	CAD Drawing Please Do Not Update Manually		↙
Additional Information:	Drawn By:		<b>Description:</b>  HIN52712  DWG No.
	Date Drawn:		
	Dimension(s)	MM	
	Finish:		
	Material:		
			Issue No. <b>1</b>
		Page 1 of 1	Scale



此处槽两边整件装后打φ2深1MM点



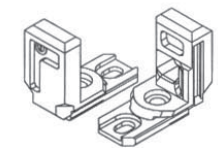
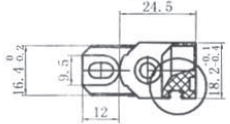
A



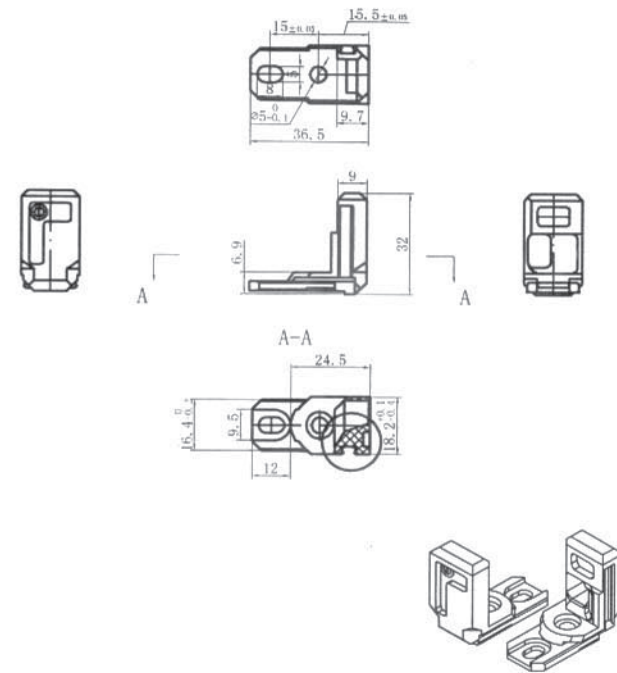
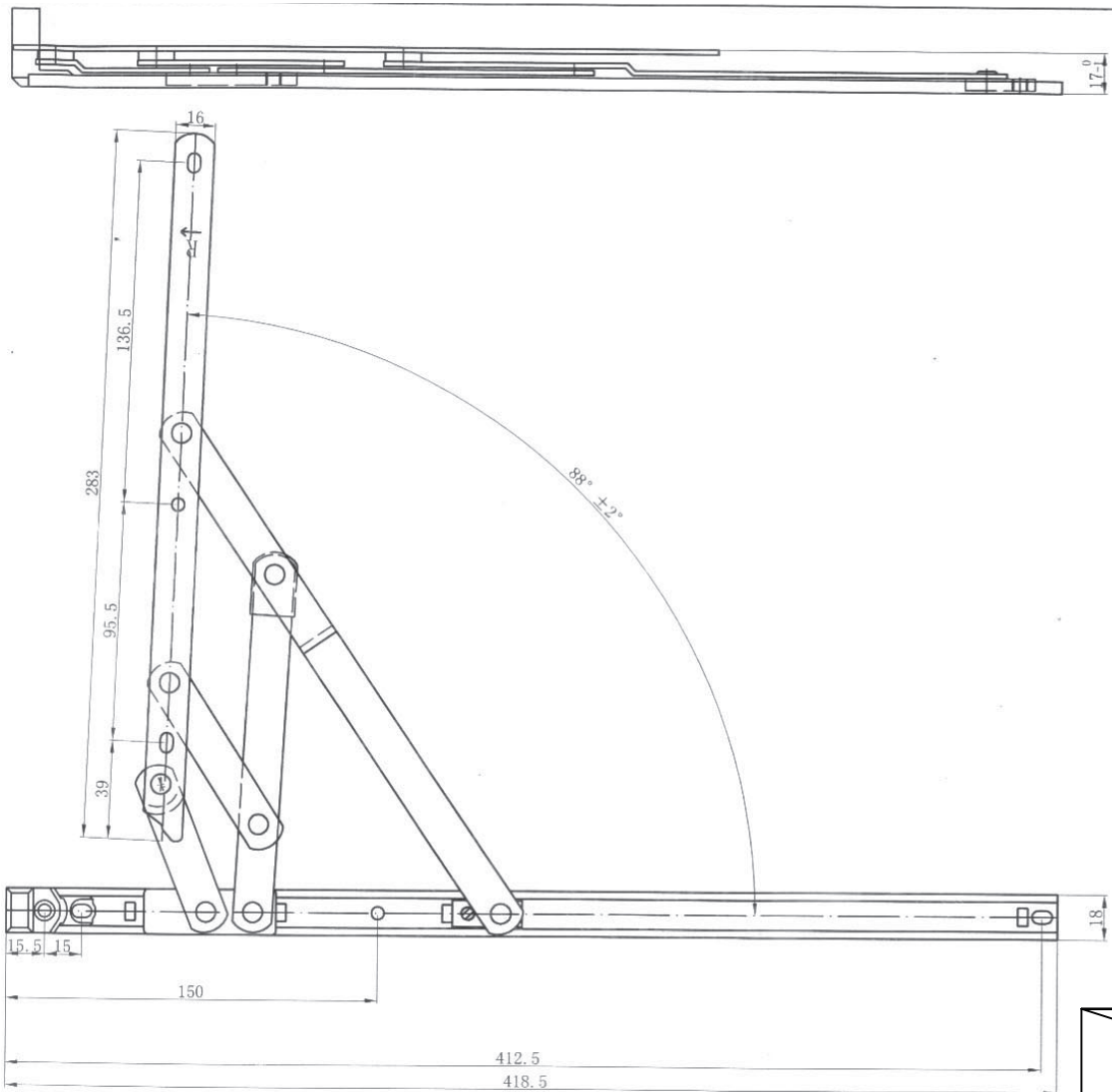
A



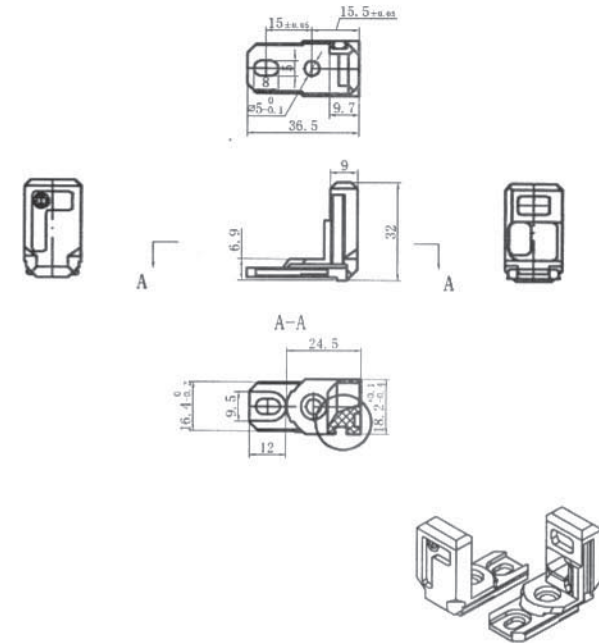
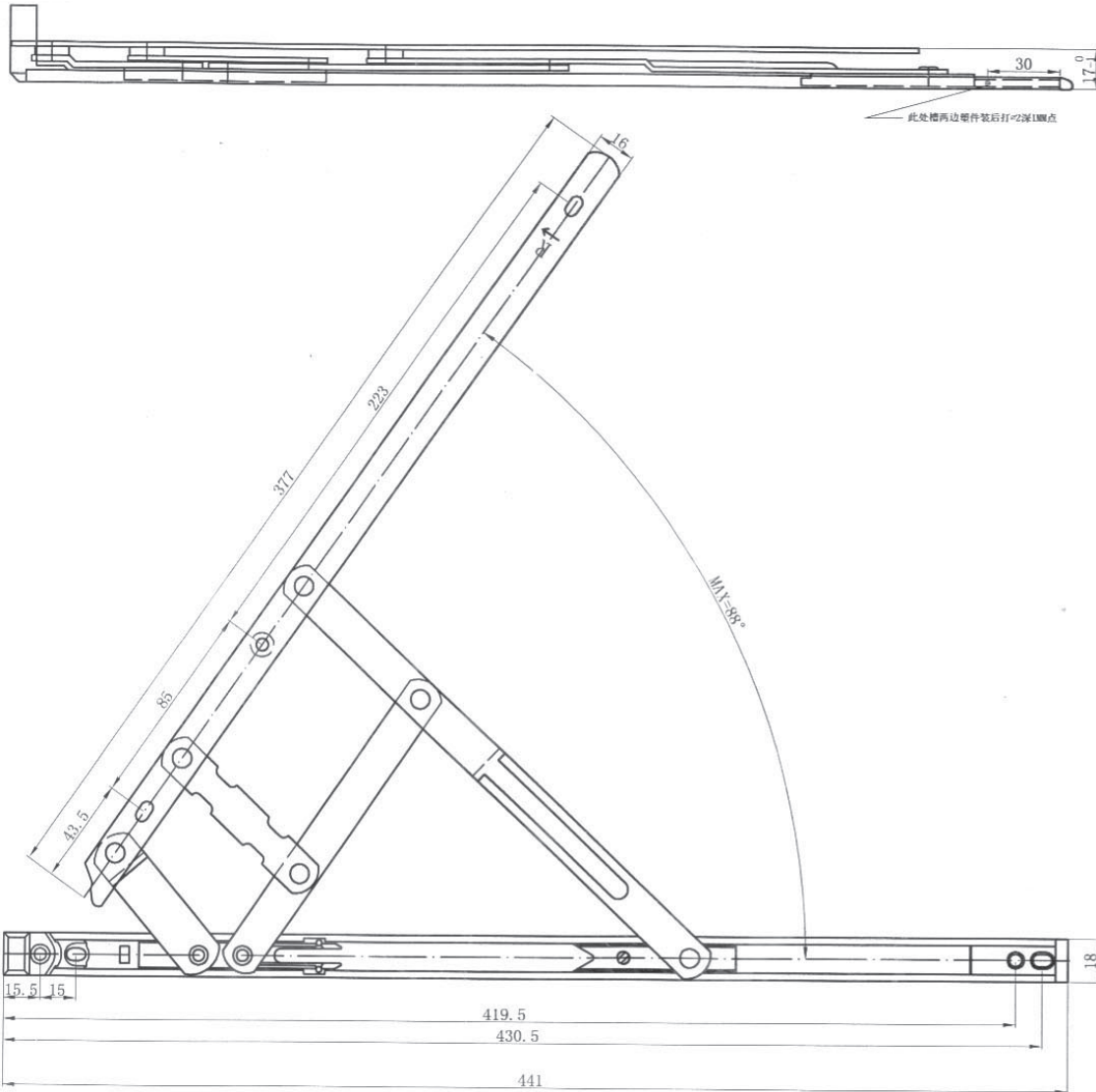
A-A



Additional Information:	CAD Drawing Please Do Not Update Manually		<b>Description:</b>  HIN52712EC
	Drawn By:		
	Date Drawn:		DWG No.
	Dimension(s):	MM	
	Finish:		Page 1 of 1
	Material:		
		Scale	Issue No. <b>1</b>



Additional Information:	CAD Drawing Please Do Not Update Manually		Description: HIN52716
	Drawn By:		
	Date Drawn:		DWG No.
	Dimension(s):	MM	
	Finish:		Issue No. 1
	Material:		
Page 1 of 1			Scale



Additional Information:	CAD Drawing Please Do Not Update Manually		<b>Description:</b> HIN52716EC
	Drawn By:		
	Date Drawn:		DWG No.
	Dimension(s):	MM	
	Finish:		Page 1 of 1
	Material:		
		Scale	Issue No. <b>1</b>



T: +44 (0) 116 2289 3343 E: [info@facadecreations.co.uk](mailto:info@facadecreations.co.uk) W: [www.facadecreations.co.uk](http://www.facadecreations.co.uk)

Registered in England, Company Number: 16267073